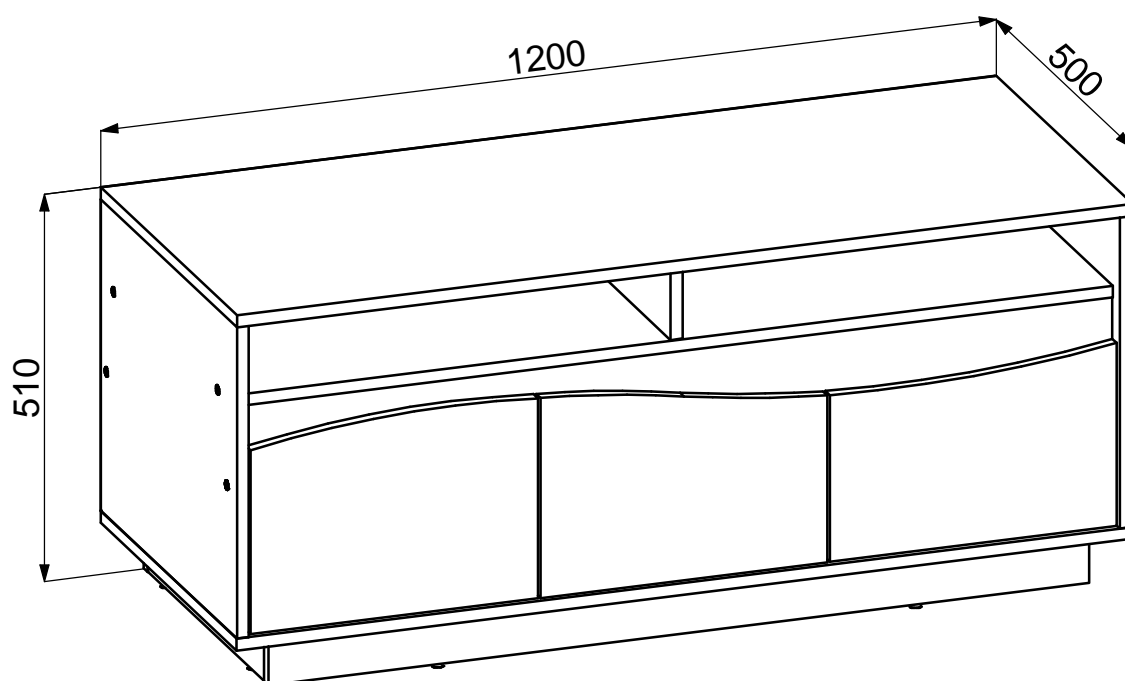
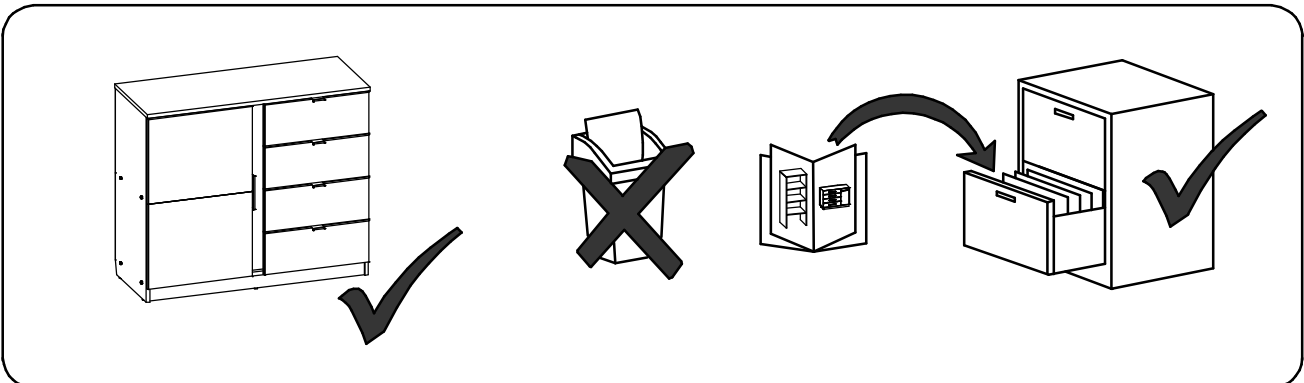
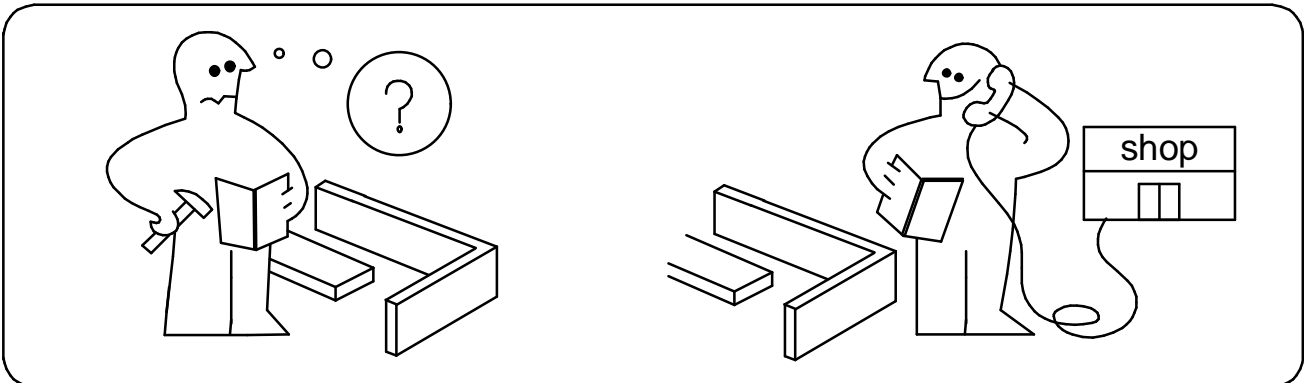
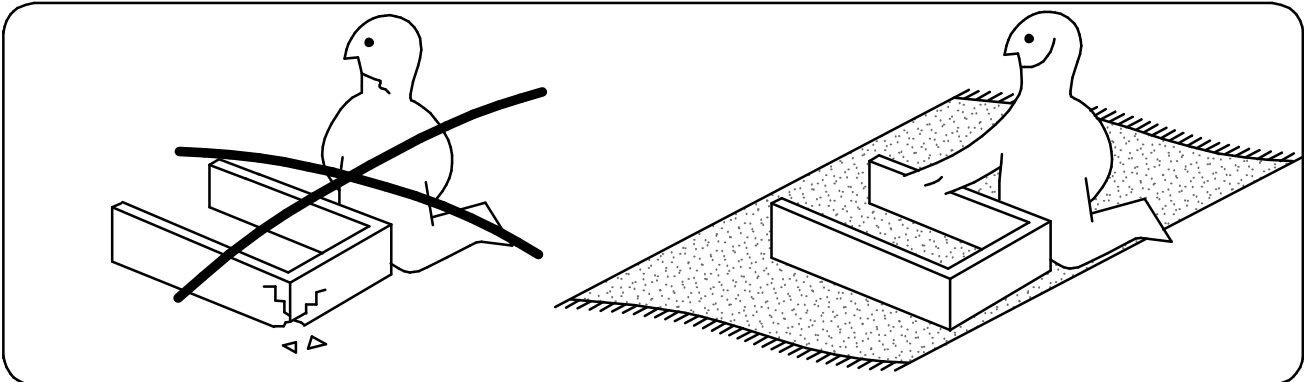
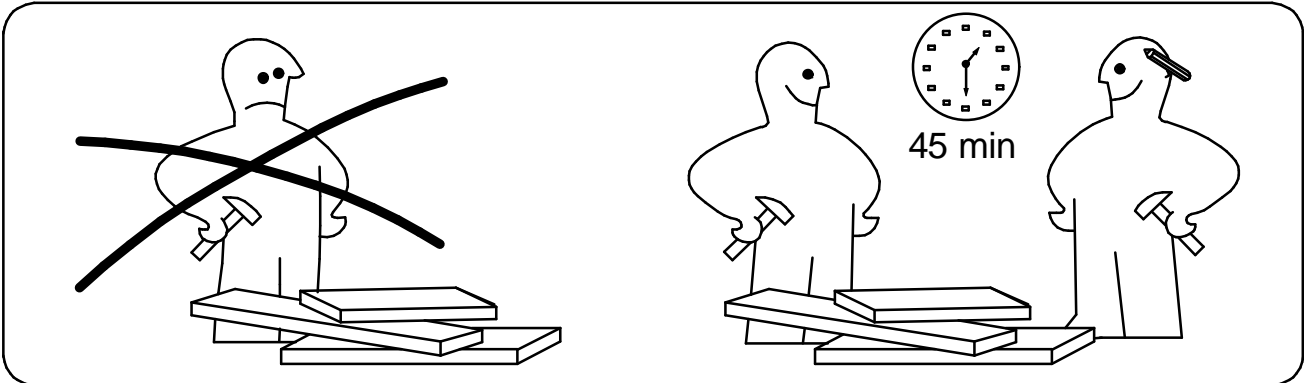
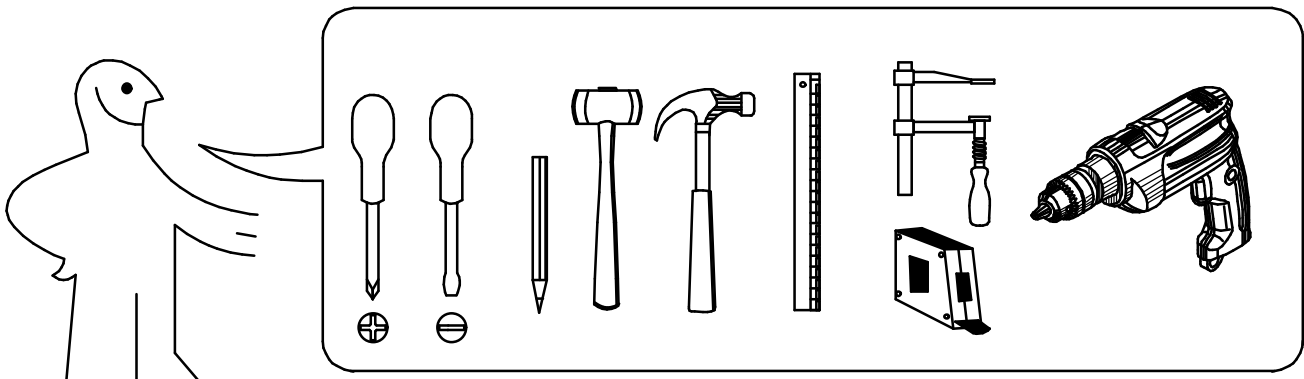
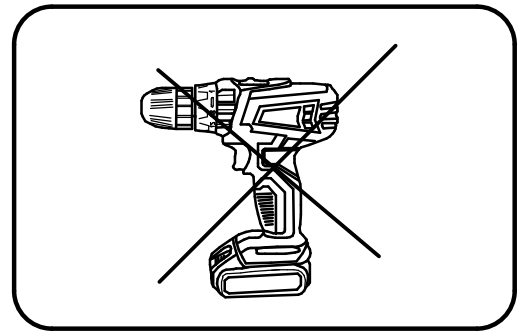
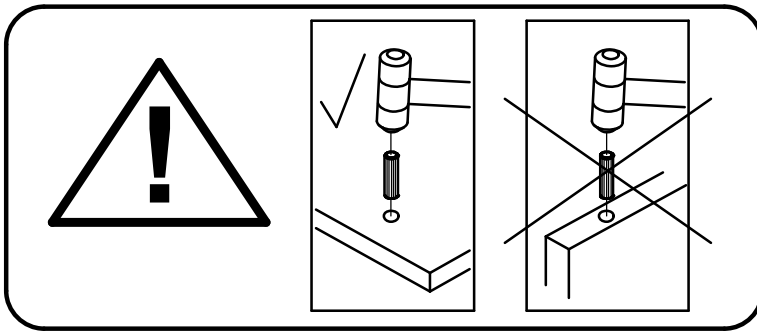




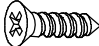

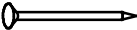
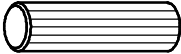
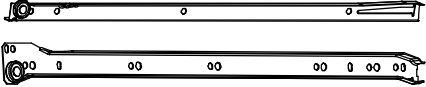




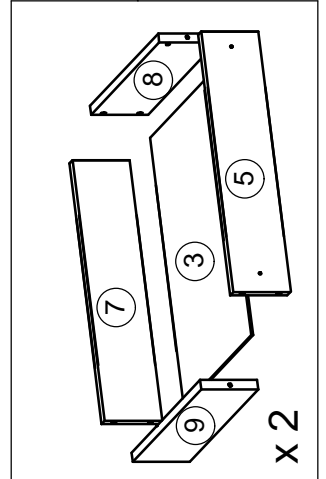
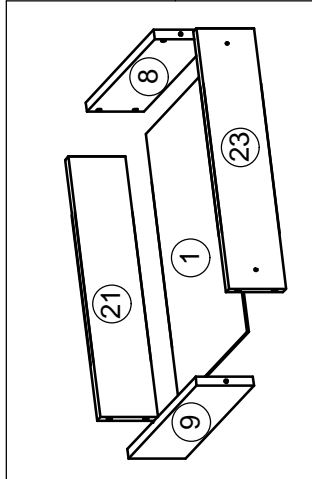
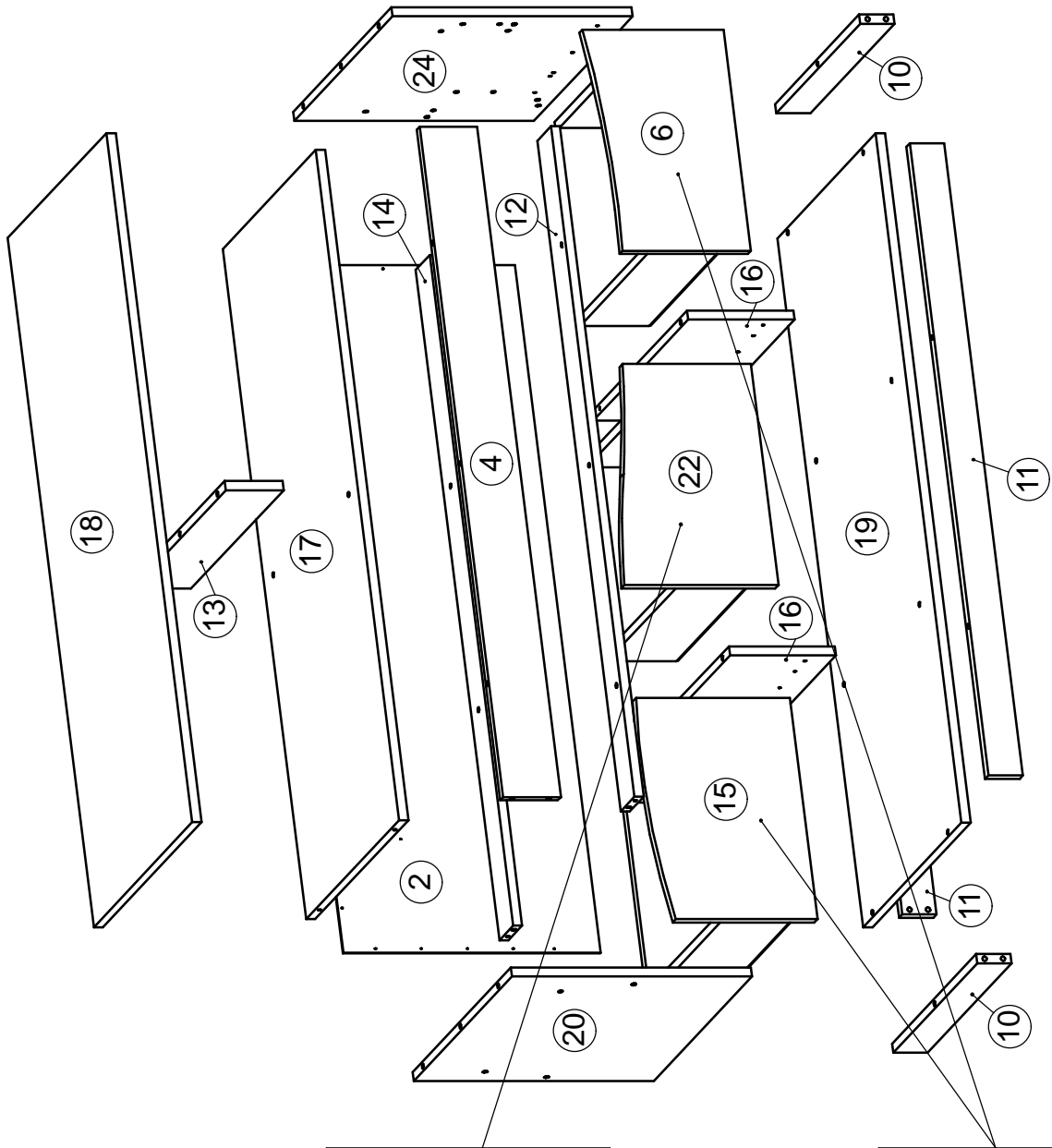
# ТВ Шкаф Виела





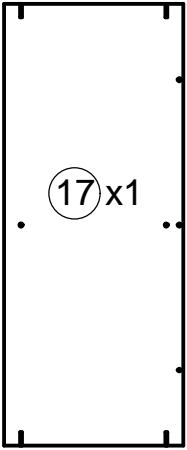


 Ø6,3x50 mm <b>A1 x 25</b>	 Ø12 mm <b>A2 x 25</b>	 4 mm <b>A3 x 1</b>	 Ø3x16 mm <b>D1 x 18</b>	 Ø4x16 mm <b>D2 x 18</b>
 Ø4x30 mm <b>D3 x 6</b>	 Ø1,6x25 mm <b>F x 128</b>	 Ø8x36 mm <b>G x 64</b>	 <b>K x 3</b>	
 Ø15 mm <b>N x 8</b>	 50g <b>R x 1</b>			

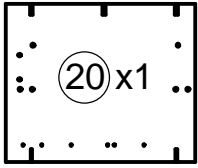


### Box 1/2

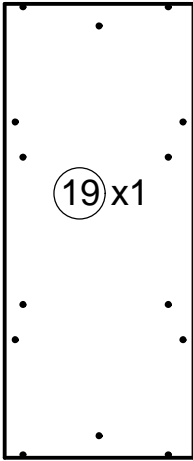
1168x474x16 mm



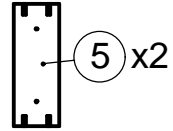
418x500x16 mm



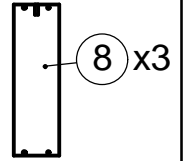
1200x500x16 mm



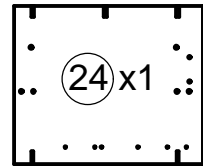
323x120x16 mm



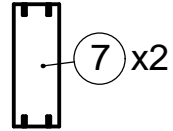
400x120x16 mm



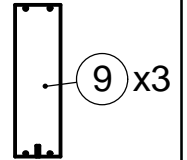
418x500x16 mm



323x120x16 mm

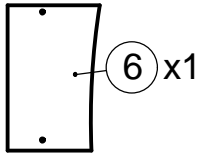


400x120x16 mm

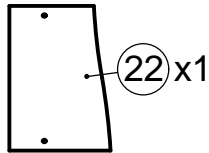


Fittings & Tools

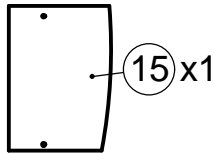
245x384x16 mm



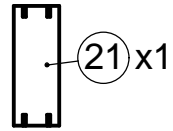
267x384x16 mm



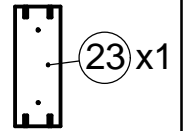
271x384x16 mm



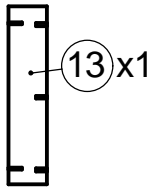
316x120x16 mm



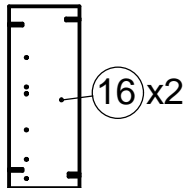
316x120x16 mm



101x472x16 mm

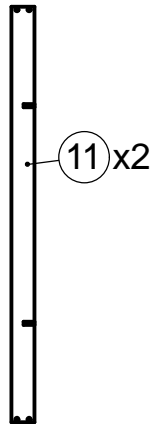


185x482x16 mm

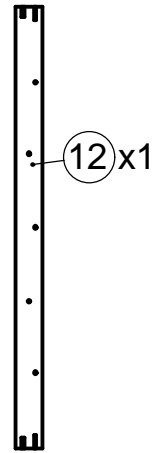


### Box 2/2

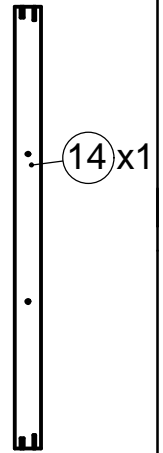
60x1100x16 mm



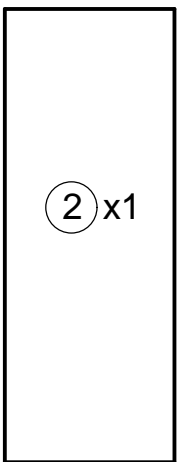
70x1168x16 mm



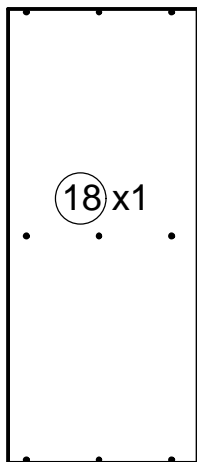
70x1168x16 mm



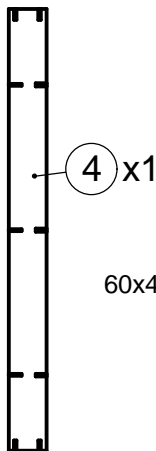
448x1198x3 mm



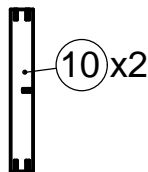
1200x500x16 mm



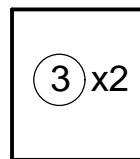
100x1168x16 mm



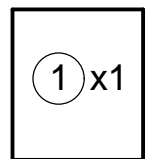
60x428x16 mm



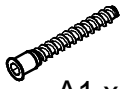
353x398x3 mm



346x398x3 mm



1



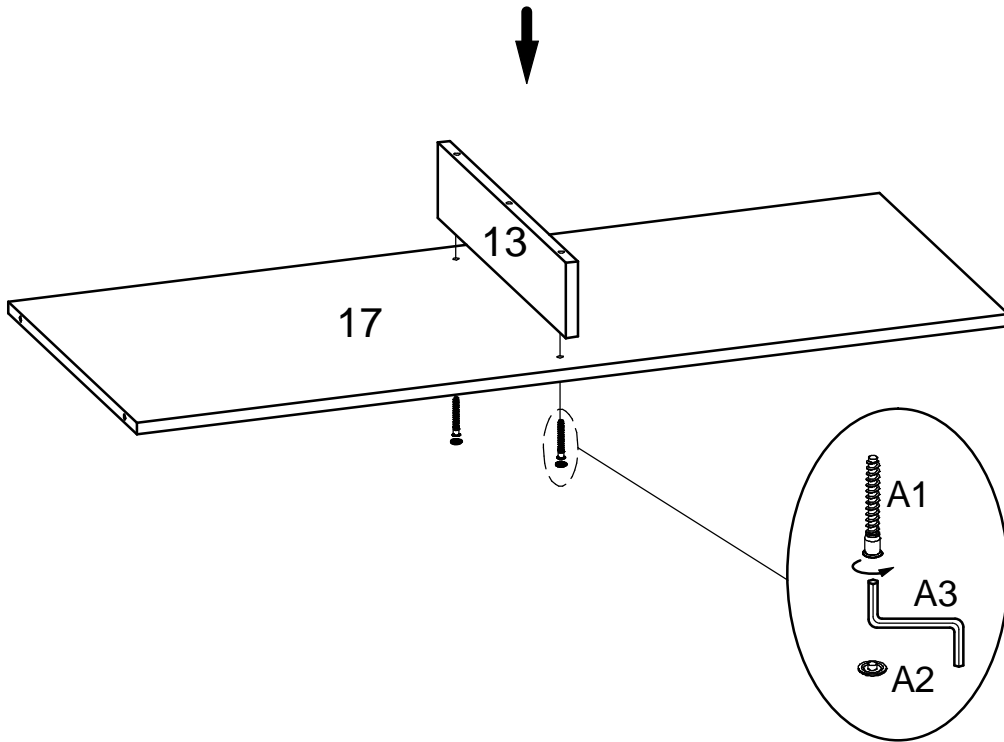
A1 x 2



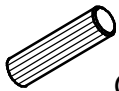
A2 x 2



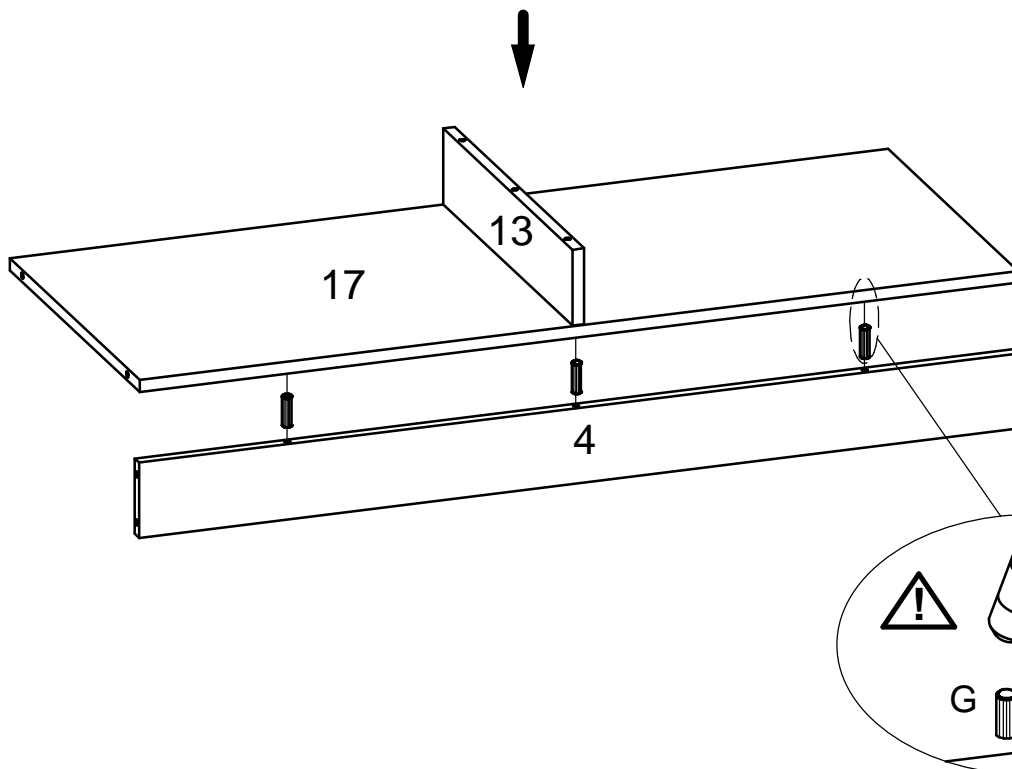
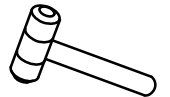
A3 x 1



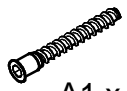
2



G x 3



3



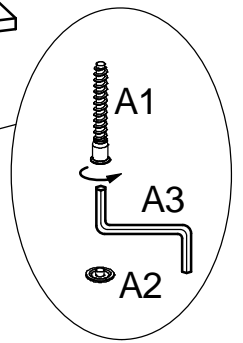
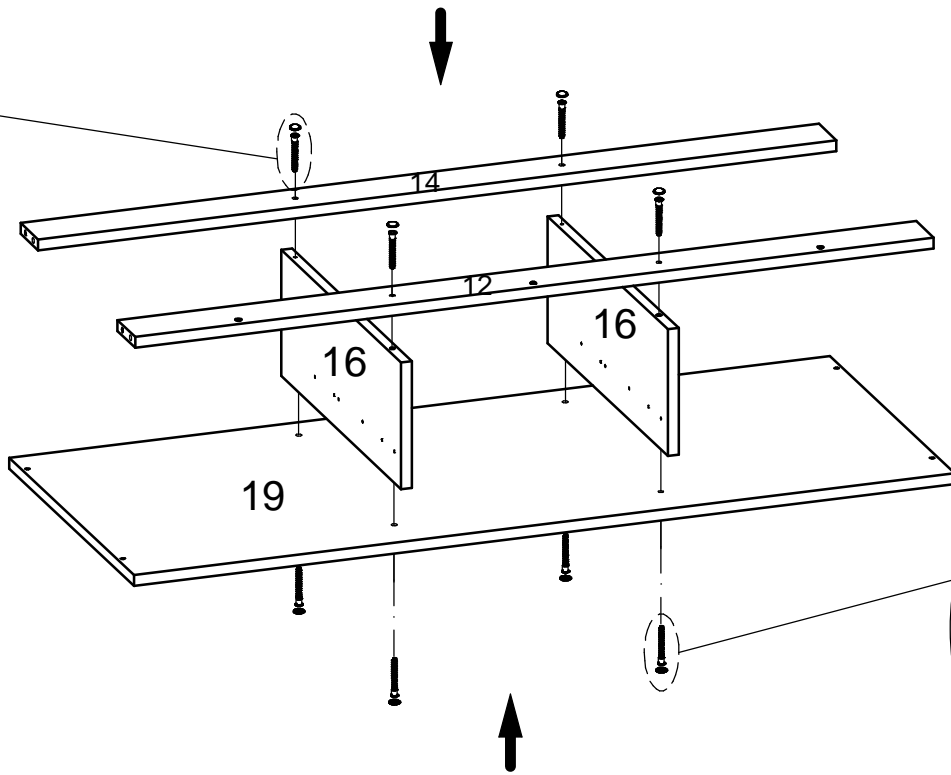
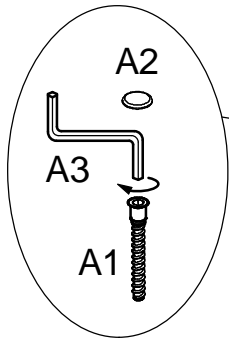
A1 x 8



A2 x 8



A3 x 1



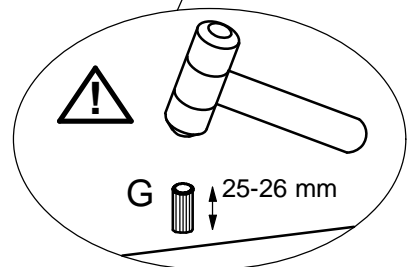
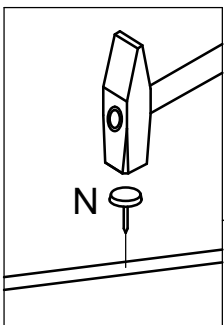
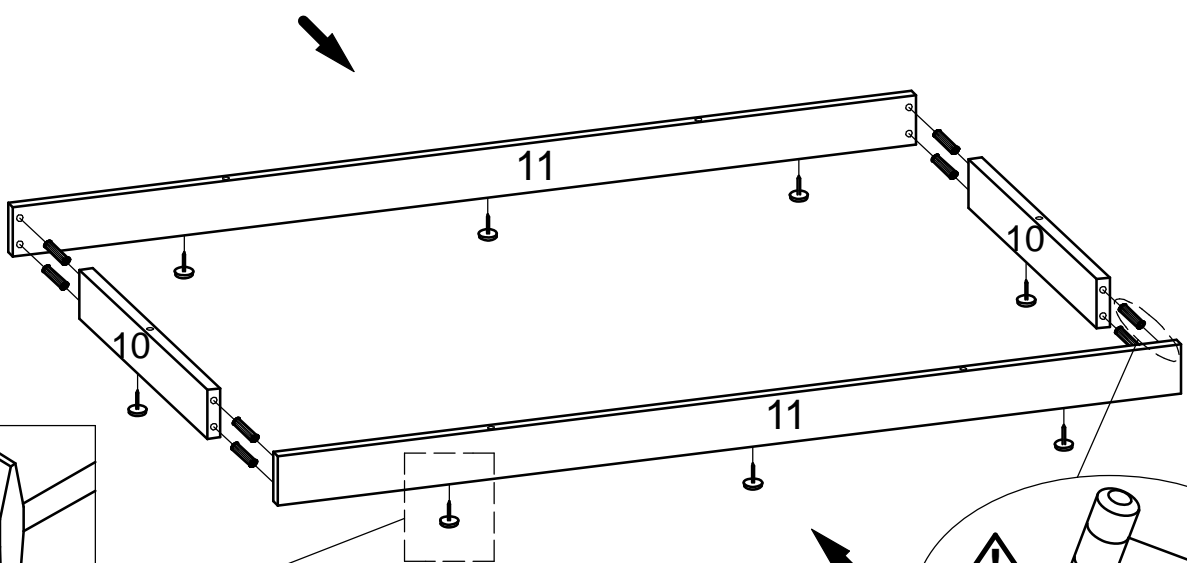
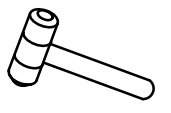
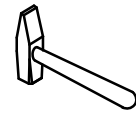
4



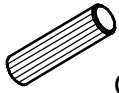
G x 8



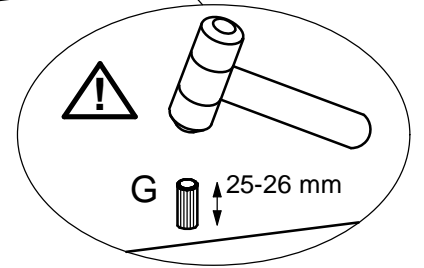
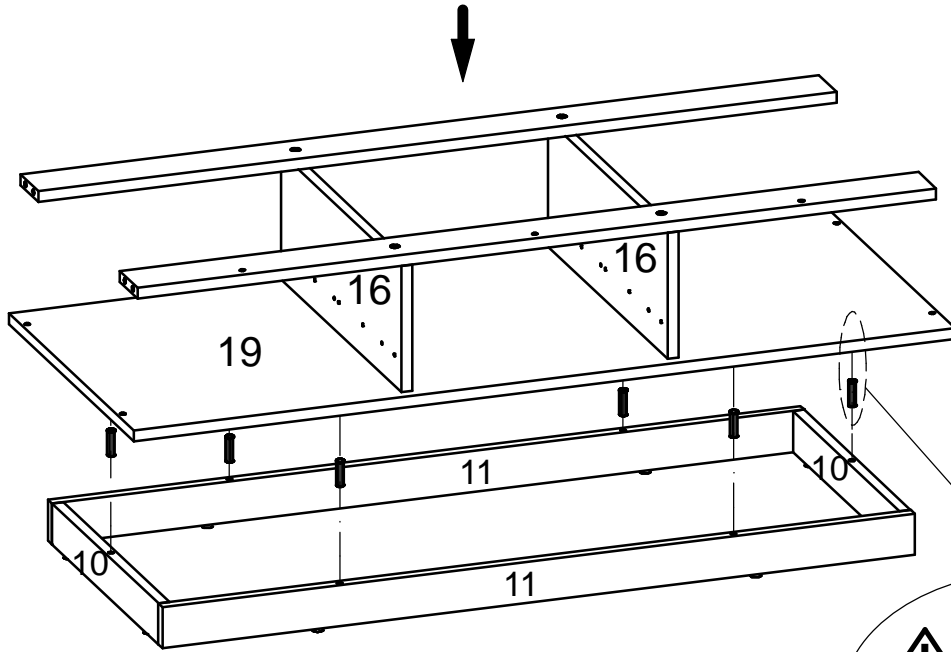
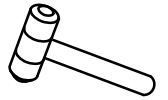
N x 8



5



G x 6



6



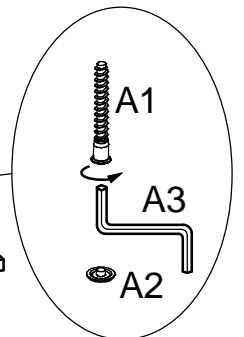
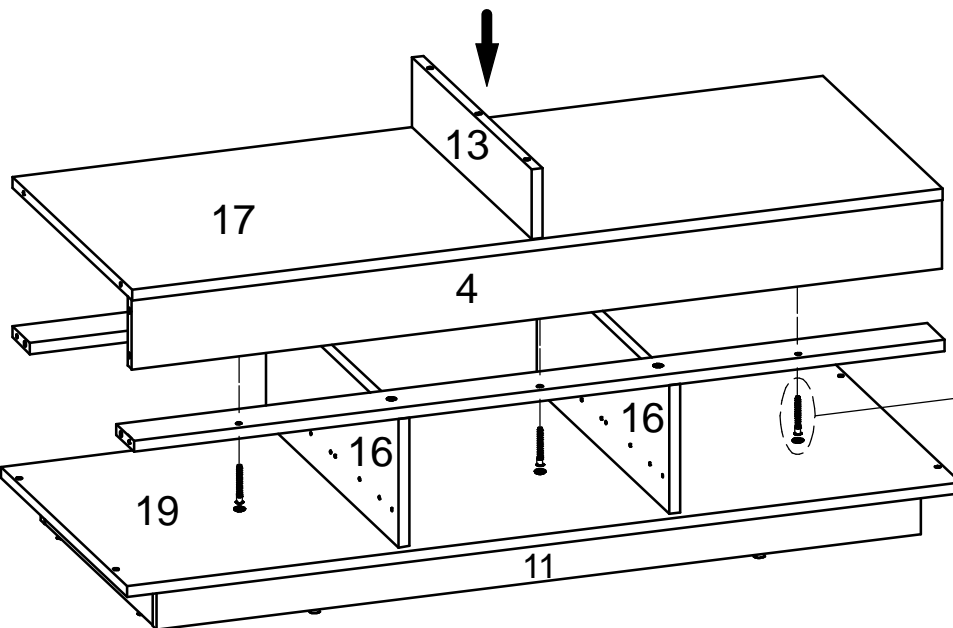
A1 x 3



A2 x 3



A3 x 1





7



A1 x 8



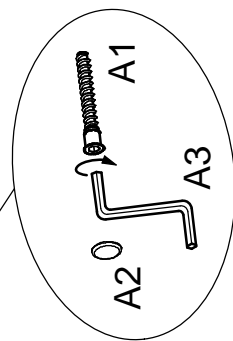
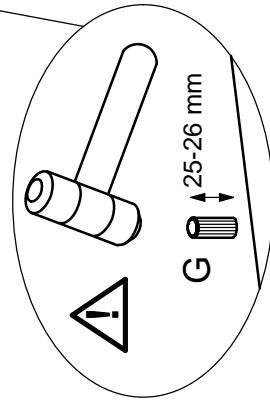
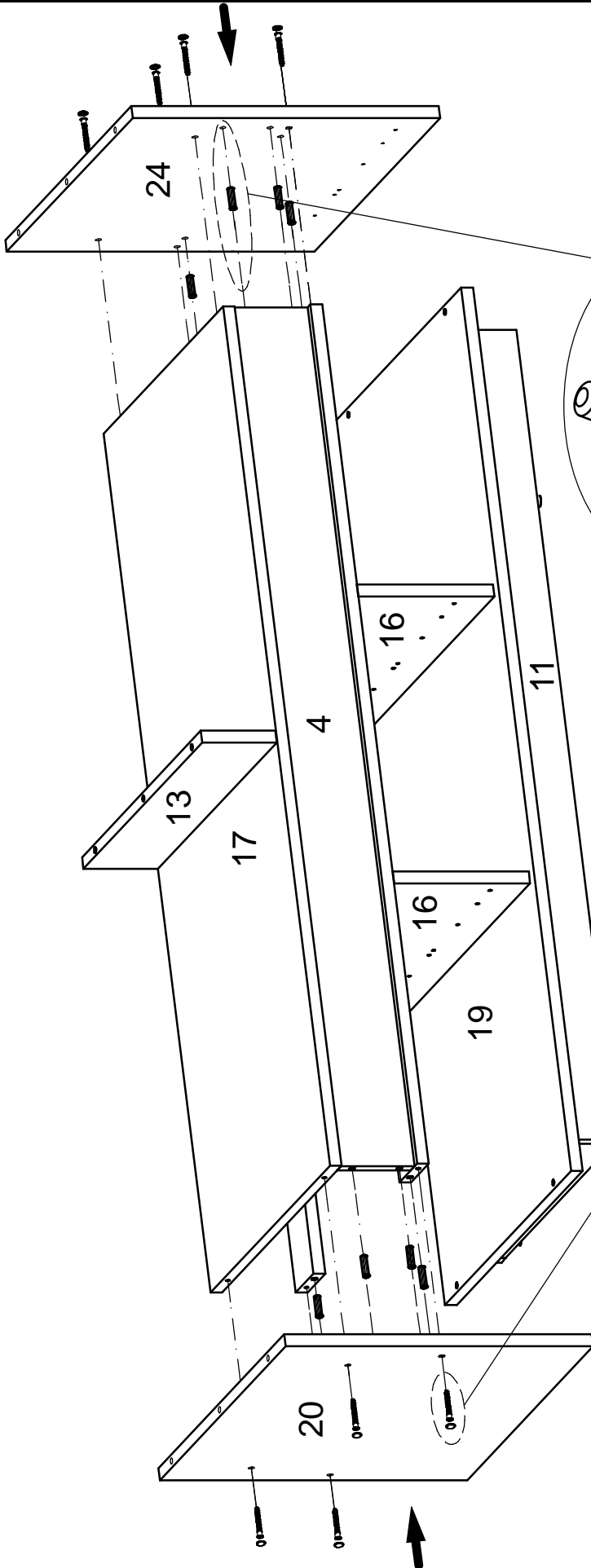
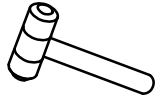
A2 x 8



A3 x 1

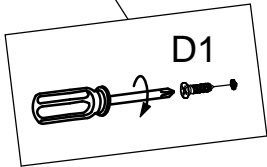
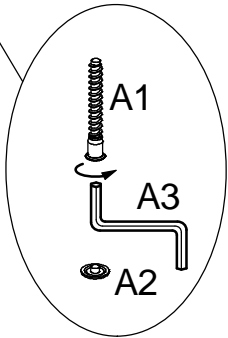
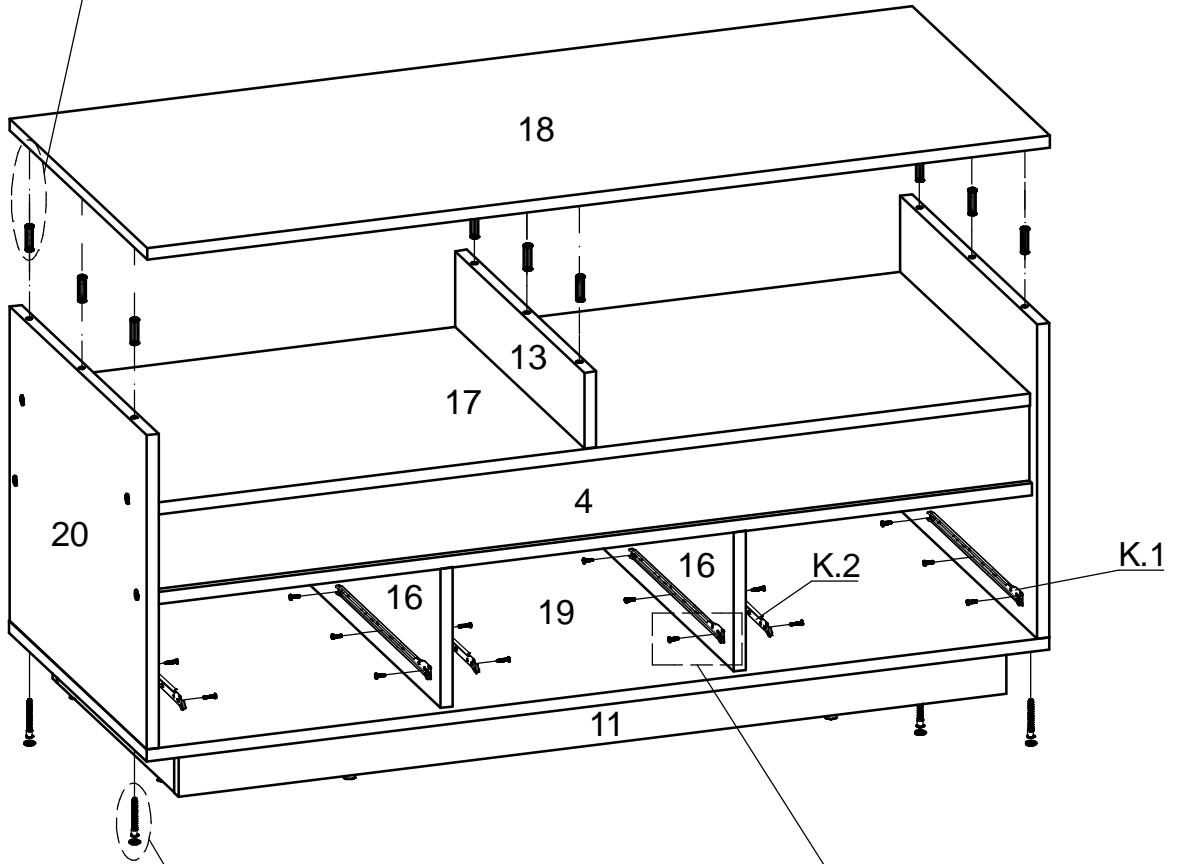
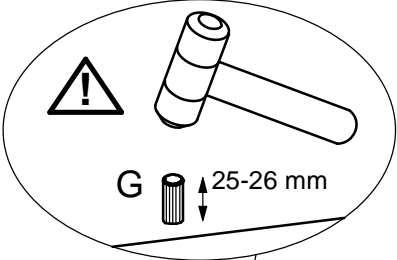
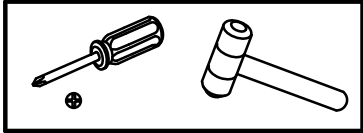


G x 8

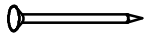


8

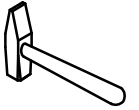
- A1 x 4
- A2 x 4
- A3 x 1
- D1 x 18
- K.1 x 3
- K.2 x 3
- G x 9




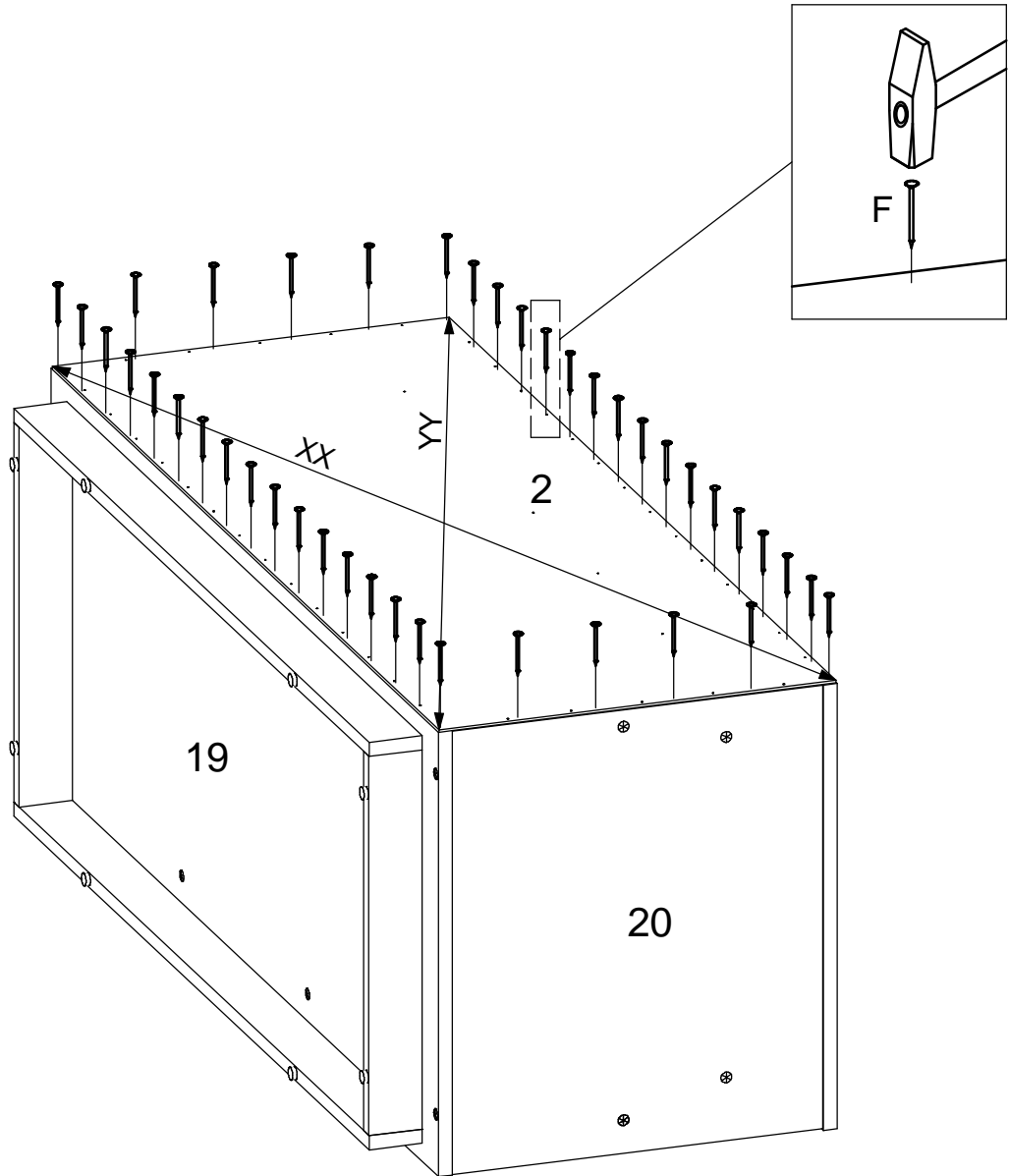
9



F x 52



  $XX=YY\equiv 90^\circ$



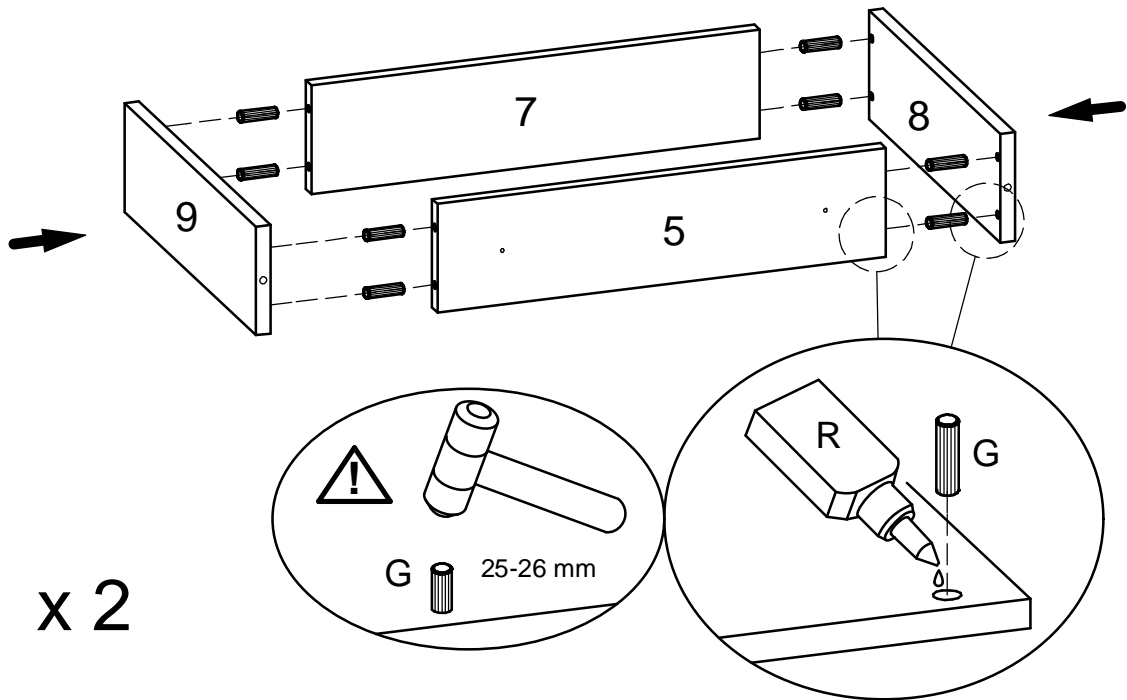
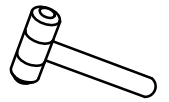
10



G x 16

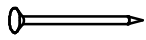


R x 1

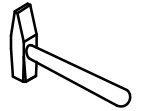


x 2

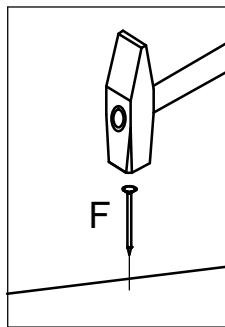
11



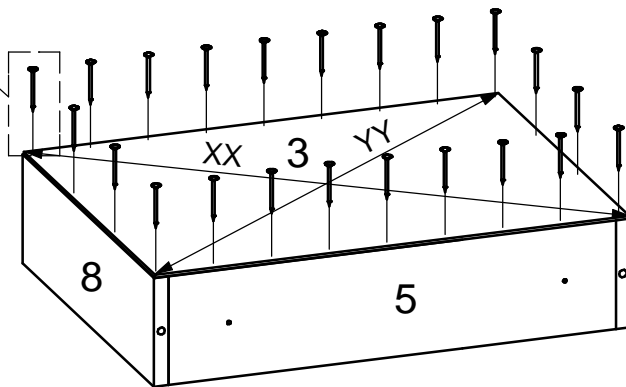
F x 52



!  $XX=YY \cong 90^\circ$



F

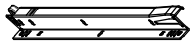


x 2

12



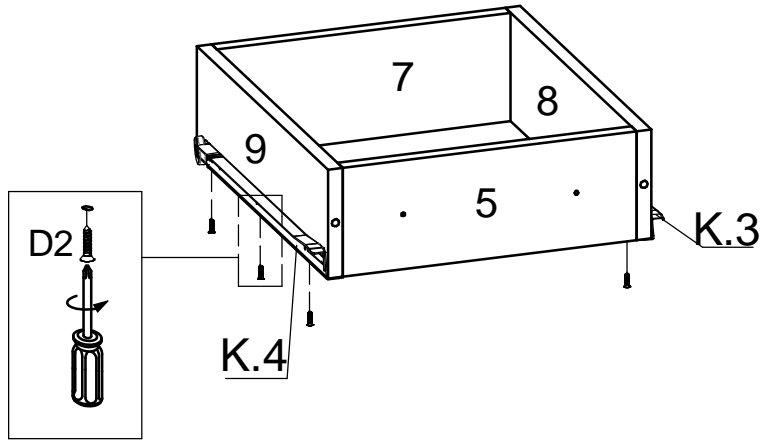
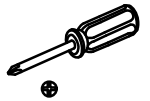
D2 x 12



K.3 x 2



K.4 x 2

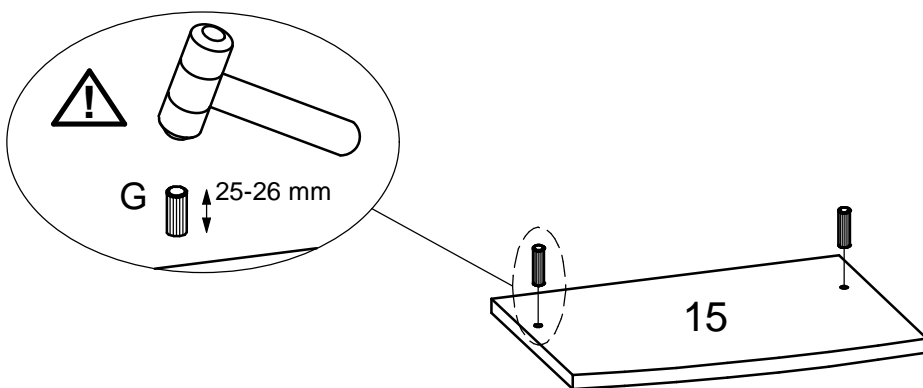
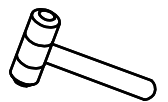


x 2

13



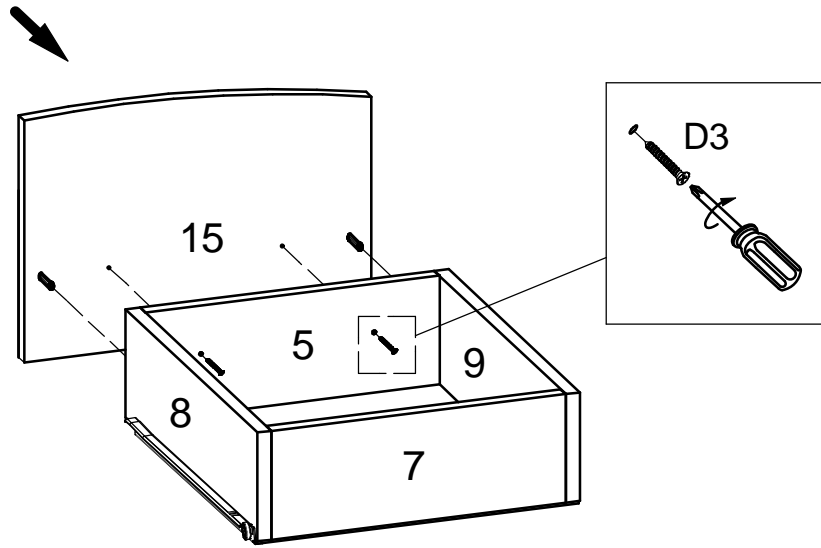
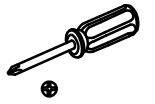
G x 2



14



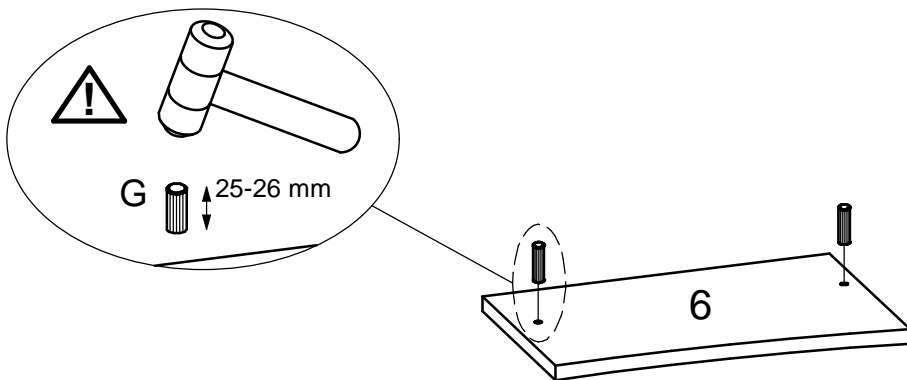
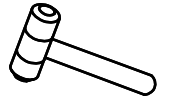
D3 x 2



15



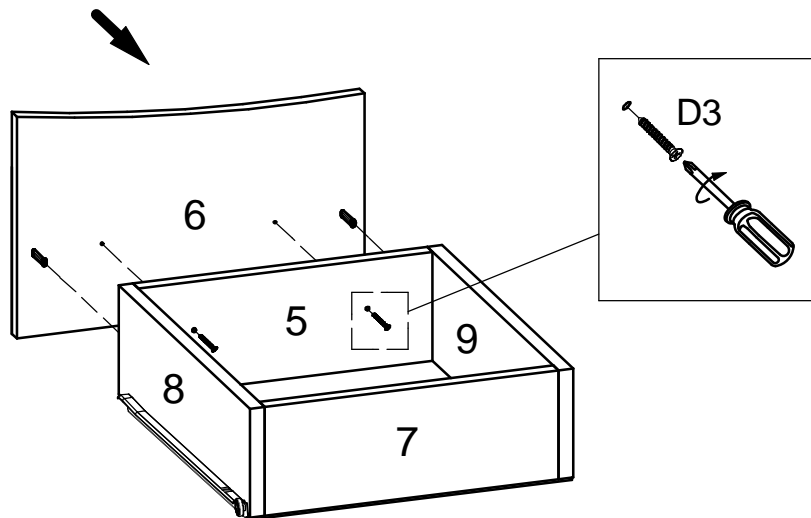
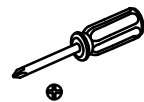
G x 2



16



D3 x 2



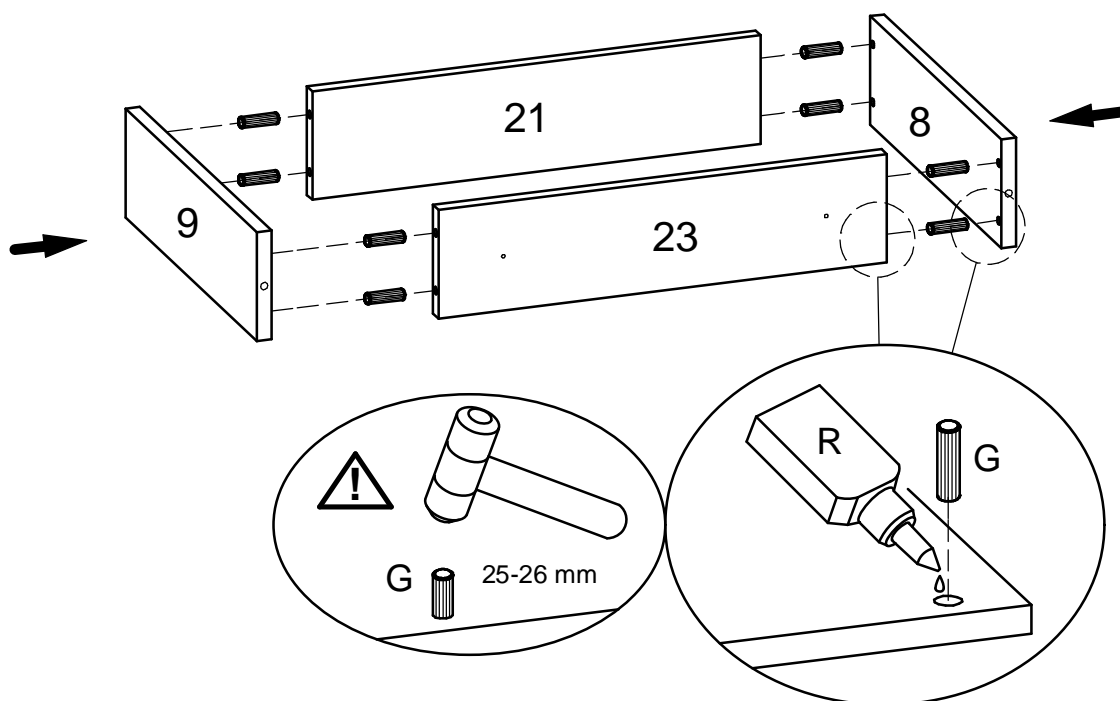
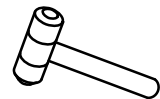
17



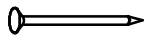
G x 8



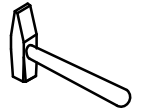
R x 1



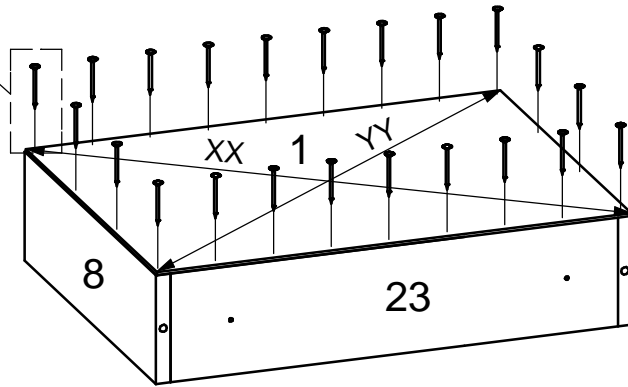
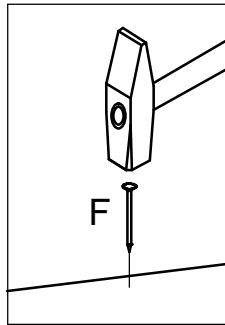
18



F x 24



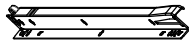
⚠ XX=YY≅90°



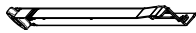
19



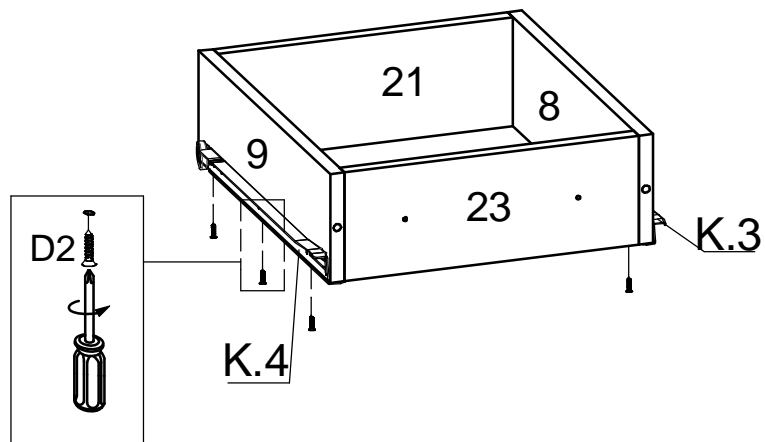
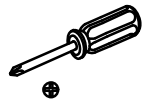
D2 x 6



K.3 x 1

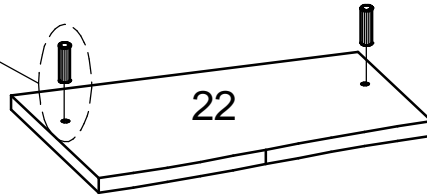
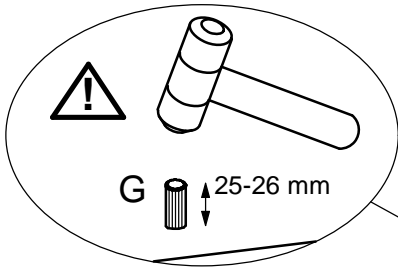
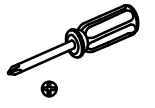


K.4 x 1

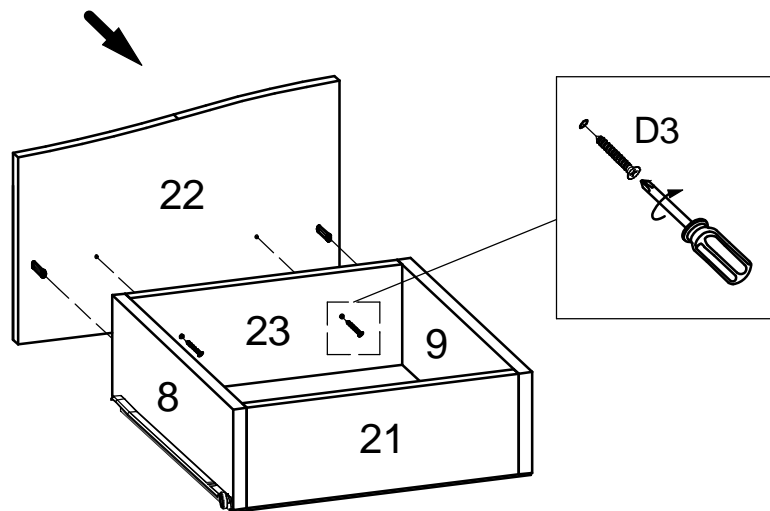
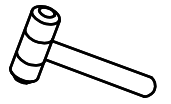
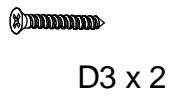




20



21



22

